

LONDON 8050



ENERGY TOWER

The semiautomatic ENERGY LONDON 8050 towers are designed to provide complementary services such as electricity and telephone communications, compressed air and water. They are used in those places typically used for parking or pedestrian areas, and sometimes used as market areas and places for events, concerts and similar. The use of ENERGY LONDON 8050 prevents the laying of cables and tubes, guaranteeing greater security for its users. Current models are the result of the dedication of more than 40 years in the field of access control, and a twenty-year specialization in bollards.

GENERAL FEATURES

The ENERGY LONDON towers, with semiautomatic movement, allow for multiple installations of single-phase and/or three-phase 16A and 32A in accordance with EN 60301-1 EN 60301-2 regulations and related protective circuit breakers. The driveway coverplate at the top of the moving tower is compliant with UNI EN 124 regulations with load class D400.



PAG.1/4

PILOMAT
HÖRMANN
100% MADE IN ITALY

PILOMAT s.r.l.
www.pilomat.com / pilomat@pilomat.com
Via Zanica 17/p, 24050, Grassobbio (BG) Italy
Tel. +39.035.29.72.20
Copyright 2021© Pilomat S.r.l. All rights reserved

REVIEW 09/09/2021

*Information in this document is for reference only. In pursuit of its policy of continuous refinement and improvement, Pilomat reserves the right to amend this information at any time and without prior notice.
Picture shown is for illustration purpose only.*

AVAILABLE ITEMS

ENERGY LONDON 8050SA

FOUNDATION BOX IN AISI304 STAINLESS STEEL FOR ENERGY TOWER LONDON 8050

KIT 5 STANDARD KEYS FOR LONDON

TELEPHONE CONFIGURATION RJ45 IN HOUSING IP55 - CONNECTION LINE LENGTH 3m

WATER CONFIGURATION - WATER TAP WITH QUICK CONNECTION - FLEXIBLE TUBE LENGTH 3m

COMPRESSED AIR TAP WITH QUICK CONNECTION - FLEXIBLE TUBE LENGTH 3m

SOCKET IEC309 230V 16A 2P+G - IP 66 WITH MAGNETOTHERMIC SWITCH 1P+N 16A 6KA

SOCKET INTERBLOCC IEC309 230V 16A 2P+G - IP 66 WITH MAGNETOTHERMIC SWITCH 1P+N 16A 6KA

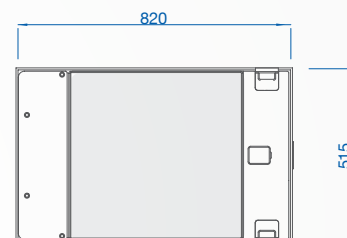
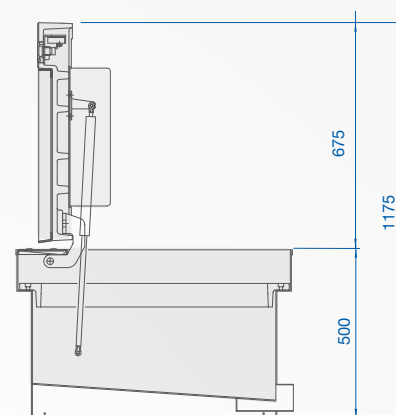
SOCKET INTERBLOCC IEC309 230V 32A 2P+G - IP 66 WITH MAGNETOTHERMIC SWITCH 1P+N 32A 6KA

SOCKET IEC309 400V 16A 3P+N+G - IP 66 WITH MAGNETOTHERMI SWITCH 4P 16A 6KA

SOCKET INTERBLOCC IEC309 400V 16A 3P+N+G - IP 66 WITH MAGNETOTHERMIC SWITCH 4P 16A 6KA

SOCKET INTERBLOCC IEC309 400V 32A 3P+N+G - IP 66 WITH MAGNETOTHERMIC SWITCH 4P 32A 6KA

BASIC CONFIGURATION 30KW WITH GENERAL DIFFERENTIAL SWITCH 4p 40A 30mA IN HOUSING IP66 - 5G6 CABLE, LENGTH 3m



TOWER MATERIAL	PEARLATIC CAST IRON
TOWER DIMENSION	820x520x500mm
TOWER HEIGHT	675mm
TOWER FINISH	ANTICORROSION TREATMENT - COLOR: GREY ANTHRACITE
CONNECTION LINES OUT OF THE TOWER	DI SERIE 3m (only if the tower is ordered complete with sockets)
PROTECTION CLASS OF ELECTRIC COMPONENTS	IP66-IP67
CLASS OF LOAD (EN124)	D400
POSSIBILITY OF FILLABLE COVERPLATE	STANDARD

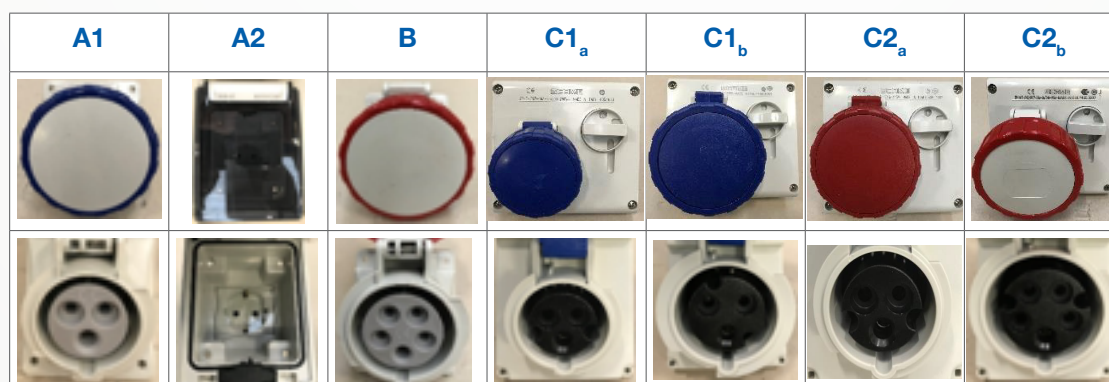
LONDON 8050



AVAILABLE ITEMS - TOWER IP 66

The general electrical configuration (30/40Kw) must be defined according to the sockets configuration		
BASIC CONFIGURATION 30KW - GENERAL DIFFERENTIAL SWITCH 4P 40A 30MA - GEARCASE IP66 - WITH CABLE 5G6 LENGTH 3m		
BASIC CONFIGURATION 40KW - GENERAL DIFFERENTIAL SWITCH 4P 63A 30MA - GEARCASE IP66 - WITH CABLE 5G10 LENGTH 3m		
A	A1 SOCKET IEC309 - 230V 16A 2P+ G - WITH MAGNETOTHERMIC SWITCH 1P+N 16A 6KA	
	A2 SCHUKO SOCKET- 230V 16A 2P+ G - WITH MAGNETOTHERMIC SWITCH 1P+N 16A 6KA	
B	SOCKET IEC309 - 400V 16A 3P+N+ G - WITH MAGNETOTHERMIC SWITCH 4P+N 16A 6KA	
C	C1	C1 _a INTERBLOCK SOCKET IEC309-230V 16A 2P+ G - WITH MAGNETOTHERMIC SWITCH 1P+N 16A 6KA
		C1 _b INTERBLOCK SOCKET IEC309-230V 32A 2P+ G - WITH MAGNETOTHERMIC SWITCH 1P+N 32A 6KA
	C2	C2 _a INTERBLOCK SOCKET IEC309-400V 16A 3P+N+ G - WITH MAGNETOTHERMIC SWITCH 4P 16A 6KA
		C2 _b INTERBLOCK SOCKET IEC309-400V 32A 3P+N+ G - WITH MAGNETOTHERMIC SWITCH 4P 32A 6KA
T	TELEPHONE CONFIGURATION RJ45 IN HOUSING IP55 - CONNECTION LINE LENGTH 3M	
cA	COMPRESSED AIR COCK WITH QUICK CONNECTION - FLEXIBLE TUBE LENGTH 3M	
W	WATER CONFIGURATION WITH WATER COCK WITH QUICK CONNECTION - FLEXIBLE TUBE LENGTH 3M	
ELECTRIC CONFIGURATION FOR 8050 ENERGY LONDON WITH GENERAL MAGNETOTHERMIC SWITCH - DIFFERENTIAL MAGNETOTHERMIC SWITCH FOR EVERY SOCKET DIFFERENCE FOR EACH SOCKETS ATTENTION! REDUCED CONFIGURATION FOR THIS OPTION		

4xA	3xA 1xB	3xA 1xC1	3xA 1xC2	1xA 2xB	1xA 3xC1	1xA 2xC2	4xC1	3xC1 1xC2	1xC1 2xC2	4xcA -
-	-	-	-	-	-	-	-	-	-	4xW
2xT	2xT	2xT	2xT	2xT	2xT	2xT	2xT	2xT	2xT	
4xcA	4xcA	4xcA	4xcA	4xcA	4xcA	4xcA	4xcA	4xcA	4xcA	



LONDON 8050



AVAILABLE ITEMS - TOWER IP 67

The general electrical configuration (30/40Kw) must be defined according to the sockets configuration	
BASIC CONFIGURATION 30KW - GENERAL DIFFERENTIAL SWITCH 4P 40A 30MA - GEARCASE IP67 - WITH CABLE 5G6 LENGTH 3m	
BASIC CONFIGURATION 40KW - GENERAL DIFFERENTIAL SWITCH 4P 63A 30MA - GEARCASE IP67 - WITH CABLE 5G10 LENGTH 3m	
A	A1 SOCKET IEC309 - 230V 16A 2P+ G - WITH MAGNETOTHERMIC SWITCH 1P+N 16A 6KA
	A2 SCHUKO SOCKET- 230V 16A 2P+ G - WITH MAGNETOTHERMIC SWITCH 1P+N 16A 6KA
B	SOCKET IEC309 - 400V 16A 3P+N+ G - WITH MAGNETOTHERMIC SWITCH 4P+N 16A 6KA
C	C1 _a INTERBLOCK SOCKET IEC309-230V 16A 2P+ G - WITH MAGNETOTHERMIC SWITCH 1P+N 16A 6KA
	C1 _b INTERBLOCK SOCKET IEC309-230V 32A 2P+ G - WITH MAGNETOTHERMIC SWITCH 1P+N 32A 6KA
	C2 _a INTERBLOCK SOCKET IEC309-400V 16A 3P+N+ G - WITH MAGNETOTHERMIC SWITCH 4P 16A 6KA
	C2 _b INTERBLOCK SOCKET IEC309-400V 32A 3P+N+ G - WITH MAGNETOTHERMIC SWITCH 4P 32A 6KA
T	TELEPHONE CONFIGURATION RJ45 IN HOUSING IP55 - CONNECTION LINE LENGTH 3M
cA	COMPRESSED AIR COCK WITH QUICK CONNECTION - FLEXIBLE TUBE LENGTH 3M
W	WATER CONFIGURATION WITH WATER COCK WITH QUICK CONNECTION - FLEXIBLE TUBE LENGTH 3M
ELECTRIC CONFIGURATION FOR 8050 ENERGY LONDON WITH GENERAL MAGNETOTHERMIC SWITCH - DIFFERENTIAL MAGNETOTHERMIC SWITCH FOR EVERY SOCKET DIFFERENCE FOR EACH SOCKETS ATTENTION! REDUCED CONFIGURATION FOR THIS OPTION	

6xA	5xA 1xB	4xA 1xC1	4xA 1xC2	3xA 2xB	3xA 1xB 1xC2	2xA 2xC1	2xA 2xC2	3xC1	2xC1 1xC2	1xC1 2xC2	4xcA - 4xW
-	-	-	-	-	-	-	-	-	-	-	-
2xT	2xT	2xT	2xT	2xT	2xT	2xT	2xT	2xT	2xT	2xT	-
4xcA	4xcA	4xcA	4xcA	4xcA	4xcA	4xcA	4xcA	4xcA	4xcA	4xcA	-

