

# B4030 60



## ENERGY TOWERS

The semiautomatic ENERGY B4030 60 towers are designed to provide complementary services such as electricity and telephone communications, compressed air and water. They are used in those places typically used for parking or pedestrian areas, and sometimes used as market areas and places for events, concerts and similar. The use of ENERGY B4030 60 prevents the laying of cables and tubes, guaranteeing greater security for its users.

Current models are the result of the dedication of more than 40 years in the field of access control, and a twenty-year specialization in bollards.

### GENERAL FEATURES

The B4030 60 ENERGY towers with manual movement allow the installation of electrical sockets, single and/or three phase 16A, in compliance with regulations EN 60301-1 and EN 60301-2 and related circuit breakers. The cover plate placed at the top of the tower is in compliance with regulation UNI EN 124 with load class C250.



PAG.1/2

**PILOMAT**  
**HÖRMANN**  
100% MADE IN ITALY

PILOMAT s.r.l.  
www.pilomat.com / pilomat@pilomat.com  
Via Zanica 17/p, 24050, Grassobbio (BG) Italy  
Tel. +39.035.29.72.20  
Copyright 2021© Pilomat S.r.l. All rights reserved

REVIEW 09/09/2021

*Information in this document is for reference only. In pursuit of its policy of continuous refinement and improvement, Pilomat reserves the right to amend this information at any time and without prior notice.  
Picture shown is for illustration purpose only.*

## AVAILABLE ITEMS

FOUNDATION BOX IN ALUZINC FOR ENERGY TOWER B4030 - COUNTERFRAME

SOCKET IEC309 230V 16A 2P+G – IP 66 WITH MAGNETOTHERMIC SWITCH 1P+N 16A 6KA 30mA

SOCKET INTERBLOCK IEC309 230V 16A 2P+G – IP 66 WITH MAGNETOTHERMIC SWITCH 1P+N 16A 6KA 30mA

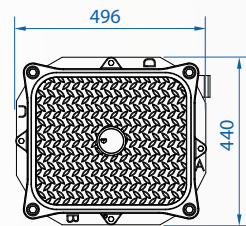
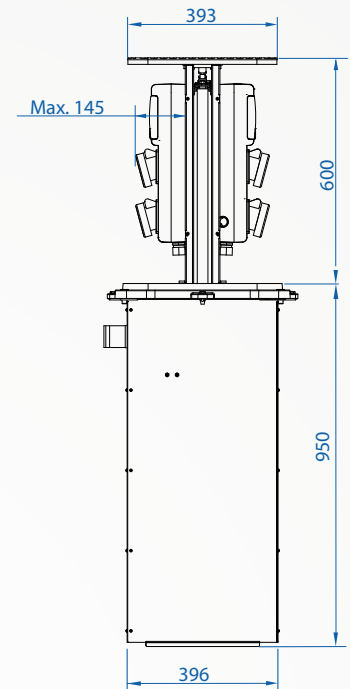
SOCKET INTERBLOCK IEC309 230V 32A 2P+G – IP 66 WITH MAGNETOTHERMIC SWITCH 1P+N 32A 6KA 30mA

SOCKET IEC309 400V 16A 3P+N+G – IP 66 WITH MAGNETOTHERMIC SWITCH 4P 16A 6KA 30mA

SOCKET INTERBLOCK IEC309 400V 16A 3P+N+G – IP 66 WITH MAGNETOTHERMIC SWITCH 4P 16A 6KA 30mA

SOCKET INTERBLOCK IEC309 400V 32A 3P+N+G – IP 66 WITH MAGNETOTHERMIC SWITCH 4P 32A 6KA 30mA

CONNECTION CABLE 5G6 INSTALLED INSIDE ENERGY B4030 – LENGTH 3m



TOWER MATERIAL	S235JR NORMAL STEEL
TOWER DIMENSIONS	400x300mm
TOWER HEIGHT	600mm
TOWER FINISH	ANTICORROSION TREATMENT - COLOR: YELLOW
CONNECTION LINE COUPLE OUT OF THE TOWER	STANDARD 3m (only if the tower is ordered complete with sockets)
PROTECTION CLASS OF ELECTRICAL COMPONENTS	IP66
POSSIBILITY OF FILLABLE COVERPLATE	NO
LOAD CLASS	C250