

FIXED BOLLARDS WITH COUNTERFRAME

The fixed 275/PL bollards have been designed and built with architectural appearance similar to that of the retractable bollards and therefore also allows the combined use of both versions.

Current models are the result of our 40 years' experience in the security field and in excess of 20 years in the specific design and manufacture of bollards.

GENERAL FEATURES

The fixed bollards are used in public or private areas in order to define or prevent the parking of vehicles, for preventing access to vehicles in pedestrian areas. These items, with a counterframe to wall, in addition to the architectural appearance of the automatic bollards, allow the removal of the bollard in the event of such a removal being needed, or if impact has occurred.



275/PL 500F-600F-800F



AVAILABLE ITEMS

BOLLARD 275/PL FEV - NORMAL STEEL PAINTED

PILOMAT BOLLARD 275/PL IXV - STAINLESS STEEL PAINTED

PILOMAT BOLLARD 275/PL IXS - STAINLESS STEEL BRUSHED

KNURLING ON FIXED CYLINDER

HEAD WITHOUT LOGO FOR BOLLARDS W275/PL

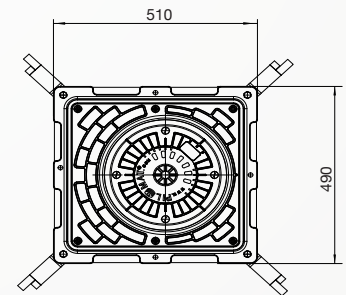
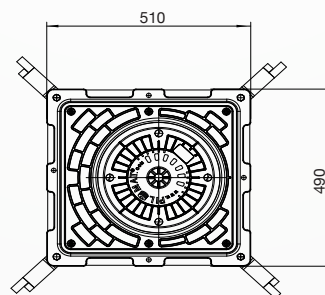
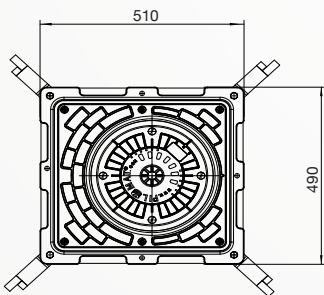
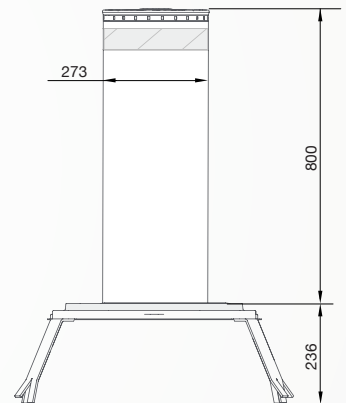
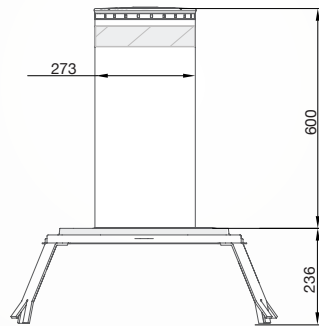
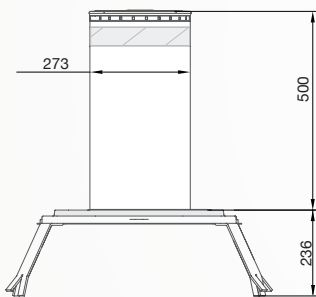
REFLECTING ADHESIVE STRIP- WHITE (NO LOGO)

MULTILED LIGHTING STRIP - 25 LED POINTS

LIGHTING STRIP POWER CIRCUIT FOR FIXED BOLLARDS (MAX. 8 BOLLARDS)

PAINTING WITH RAL COLOUR ON REQUEST

KIT ANTI-TEMPERING SCREWS FOR CROWN - REMOVAL KEY



275/PL 500F-600F-800F



	275/PL-500F	275/PL-600F	275/PL-800F
CYLINDER MATERIAL	S235JR NORMAL STEEL - X5CrNi 18-10 (AISI 304) STAINLESS STEEL X5CrNiMo 17-12-2 (AISI 316) STAINLESS STEEL		
CYLINDER DIAMETER	273mm		
CYLINDER HEIGHT	500mm	600mm	800mm
CYLINDER NORMAL STEEL THICKNESS	6mm		
CYLINDER STAINLESS STEEL THICKNESS	AISI 304: 6mm - AISI 316: 4mm		
CYLINDER NORMAL STEEL FINISH	ANTI-CORROSION TREATMENT - STANDARD PAINTING GREY ANTHRACITE		
CYLINDER STAINLESS STEEL FINISH	STANDARD PAINTING GREY ANTHRACITE OR BRUSHED		
NEW CYLINDER FINISH	N.A	STONE COATING AND INDIVIDUALLY DESIGNED CYLINDER COVER UPON CUSTOMER'S REQUEST	
OTHER CYLINDER FINISH	KNURLING		
REFLECTING ADHESIVE STRIP	STANDARD - HEIGHT 55mm		
PROTECTION CLASS	IP67		
IMPACT RESISTANCE (WITHOUT DEFORMATION)	40.000 J		
BREAKOUT RESISTANCE	250.000 J		
COUNTERFRAME TO WALL	STANDARD - COMPLETE WITH 4 BRACKETS TO WALL		
CONNECTION LINE FOR LIGHTING STRIP	STANDARD 10m (MAX. LENGTH 80m)		

