

# 275/P 400A-500A-600A-800A



## HYDRAULIC BOLLARD WITH BUILT-IN UNIT

The 275/P 400A, 275/P 500A, 275/P 600A and 275/P 800A, automatic bollards are the top line products of the PILOMAT range. Current models are the result of our 40 years' experience in the security field and in excess of 20 years in the specific design and manufacture of bollards.

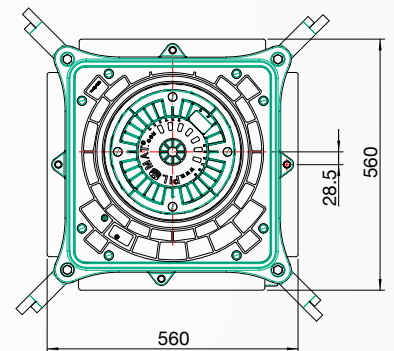
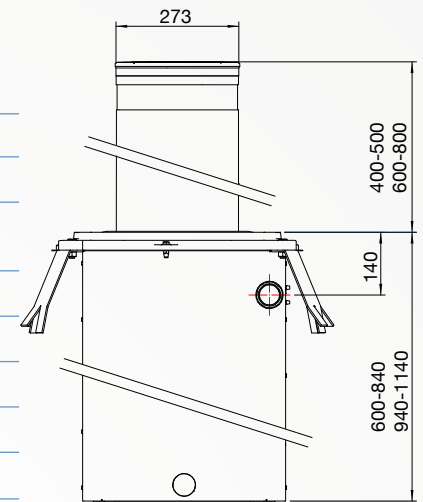
The 275/P bollards are recommended for use in any pedestrian areas, private parkings, business parkings, private driveways, business driveways, commercial driveways.

The 275/P are available with a large number of optional accessories that allow you to customize your system according to your security needs.



## AVAILABLE ITEMS

BOLLARD 275/P FEV - STEEL PAINTED
BOLLARD 275/P IXV - STAINLESS STEEL PAINTED
BOLLARD 275/P IXS - STAINLESS STEEL BRUSHED
FOUNDATION BOX IN ALUZING FOR PILOMAT 275/P - COUNTERFRAME AND BRACKETS ONE FOUNDATION BOX FOR EACH BOLLARD
CONTROL UNIT FOR BOLLARD 275/P
MULTILED LIGHTING STRIP- 25 LED POINTS
ACOUSTIC WARNING SIGNAL FOR AUTOMATIC BOLLARD
REFLECTING ADHESIVE STRIP - WHITE (NO-LOGO)
HEAD WITHOUT LOGO FOR BOLLARD 275/P
PAINTING WITH RAL COLOUR ON REQUEST
BIODEGRADABLE OIL FOR HYDRAULIC UNIT
HEATING RESISTANCE FOR BOLLARDS - TRANSFORMER AND THERMOSTAT ONE RESISTANCE FOR EACH BOLLARD
RADIO RECEIVER
RADIO TRANSMITTER TWO-CHANNEL
TRAFFIC LIGHT WITH TWO LIGHTS (GREEN-RED)
INDUCTIVE DETECTOR FOR LOOPS
INDUCTIVE LOOPS
TIMER PROGRAMMER
INDUCTIVE CARD READER
LOCK SELECTOR



# 275/P 400A-500A-600A-800A



	275/P-400A	275/P-500A	275/P-600A	275/P-800A
CYLINDER MATERIAL	X5CrNi 18-10 (AISI 304) STAINLESS STEEL		235JR NORMAL STEEL - X5CrNi 18-10 (AISI 304) - X5CrMo 17-12-2 (AISI 316) STAINLESS STEEL	
CYLINDER DIAMETER	273mm			
CYLINDER HEIGHT	400mm	500mm	600mm	800mm
CYLINDER THICKNESS	6mm (optional AISI 316: 4mm)			
MOVEMENT PRINCIPLE	HYDRAULIC			
CYLINDER STEEL FINISH	ANTI-CORROSION TREATMENT - STANDARD PAINTING GREY ANTHRACITE			
CYLINDER STAINLESS STEEL FINISH	GREY ANTHRACITE STANDARD PAINTING OR BRUSHED			
NEW CYLINDER STAINLESS STEEL FINISH	N.A.		STONE COATING AND INDIVIDUALLY DESIGNED CYLINDER COVER UPON CUSTOMER'S REQUEST	
REFLECTING ADHESIVE STRIP	STANDARD - HEIGHT 55mm			
RISING SPEED	15cm/s		16cm/s	17cm/s
LOWERING SPEED	25cm/s		30cm/s	32cm/s
MANUAL EMERGENCY LOWERING	STANDARD (ALSO FOR VERSION WITH AUTOMATIC LOWERING IF POWER FAILED)			
SAFETY REVERSAL	STANDARD			
CONNECTION LINE TO CONTROL UNIT	STANDARD 10m (MAX. LENGTH 80m - WITH HEATING RESISTANCE MAX. 50m)			
VOLTAGE FOR CONTROL UNIT	230Vac (+/- 10%) 50/60Hz			
HYDRAULIC UNIT	BUILT-IN THE BOLLARD			
PROTECTION CLASS	IP67			
TYPE OF USE	INTENSIVE - 2000 CYCLES/DAY			
LIFE UNITS	3.000.000 CYCLES			
IMPACT RESISTANCE (WITHOUT DEFORMATION)	40.000 J Certified TUV Rheinland			
BREAKOUT RESISTANCE	250.000 J			
OPERATING TEMPERATURE	-40 °C +70 °C (FOR TEMPERATURES LOWER THAN -10 °C USE THE HEATING RESISTANCE)			
LOAD CLASS (EN124)	D400			

