

# 275/K4 700F



## ANTI-TERRORISM FIXED BOLLARDS WITH COUNTERFRAME

The fixed 275/K4 700F bollards have been designed and built with architectural appearance similar to that of the retractable bollards and therefore also allows the combined use of both versions.

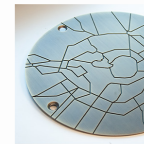
Current models are the result of our 40 years' experience in the security field and in excess of 20 years in the specific design and manufacture of bollards.

### GENERAL FEATURES

The fixed antiterrorism bollards are used to separate and prevent vehicles from breaching the perimeter of the following areas: Research Centres Embassies, Police Headquarters, Military Bases, Ministerial Buildings Sites in Sensitive Areas. These items, with a counterframe to wall, in addition to the architectural appearance of the K4 automatic bollards, allow for the removal of the bollard in the event of such a removal being needed, or if impact has occurred.



Anticorrosion marine treatment



Custom stainless steel cylinder cover

## AVAILABLE ITEMS

BOLLARD 275/K4 FEV - NORMAL STEEL PAINTED

BOLLARD 275/K4 IXS - STAINLESS STEEL PAINTED

BOLLARD 275/K4 IXS - STAINLESS STEEL BRUSHED

KNURLING ON FIXED CYLINDER

REDUCED FOUNDATION BOX WITH COUNTERFRAME  
ONE FOUNDATION BOX FOR EACH BOLLARD

KIT REBARS FOR FOUNDATION BOX 275/K4

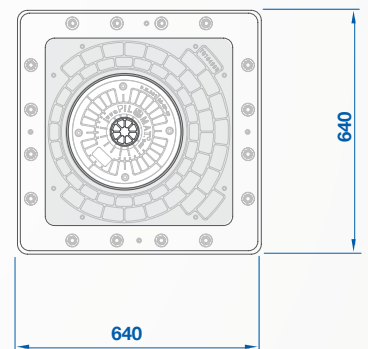
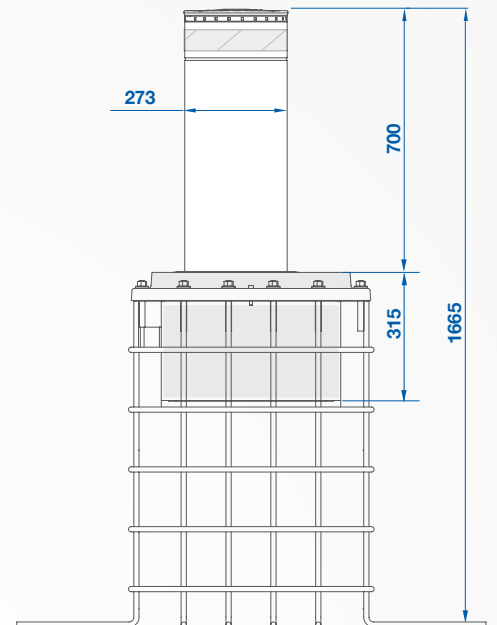
HEAD WITHOUT LOGO FOR 275/K4

REFLECTING ADHESIVE STRIP - WHITE (NO-LOGO)

MULTILED LIGHTING STRIP - 25 LED POINTS

LIGHTING STRIP POWER CIRCUIT FOR FIXED BOLLARDS (MAX. 8 BOLLARDS)

PAINTING WITH RAL COLOUR ON REQUEST



# 275/K4 700F



CYLINDER MATERIAL	S355JR NORMAL STEEL X5CrNi18-10 (AISI 304)/ X5CrNiMo17-12-2 (AISI 316) STAINLESS STEEL
CYLINDER DIAMETER	273mm
CYLINDER HEIGHT	700mm
CYLINDER THICKNESS	10mm
CYLINDER NORMAL STEEL FINISH	ANTI-CORROSION TREATMENT - STANDARD PAINTING GREY ANTHRACITE
CYLINDER STAINLESS STEEL FINISH	STANDARD PAINTING GREY ANTHRACITE OR BRUSHING
OTHER CYLINDER FINISH	KNURLING ON THE SURFACE
REFLECTING ADHESIVE STRIP	STANDARD - HEIGHT 55mm
CONNECTION LINE FOR LIGHTING STRIP (OPTIONAL)	STANDARD 10m (MAX. LENGTH 80m)
PROTECTION CLASS	IP67
IMPACT RESISTANCE (WITHOUT DEFORMATION)	250.000 J
BREAKOUT RESISTANCE	750.000 J
ANTI-CORROSION TREATMENT "M"	OPTIONAL TO BE ORDERED IN CASE OF INSTALLATIONS THAT ARE LESS THAN 2 KM FROM THE SEA TO BE ORDERED IN CASE OF INSTALLATIONS WHERE SALT IS USED ON THE ROAD TO AVOID ICE FOR A PERIOD UP TO 3 MONTHS

