

275/K12FB 900F-1200F



ANTI-TERRORISM FIXED BOLLARDS WITH BASEMENT

The fixed 275/K12FB bollards have been designed and built with architectural appearance similar to that of the retractable bollard and therefore also allows the combined use of both versions.

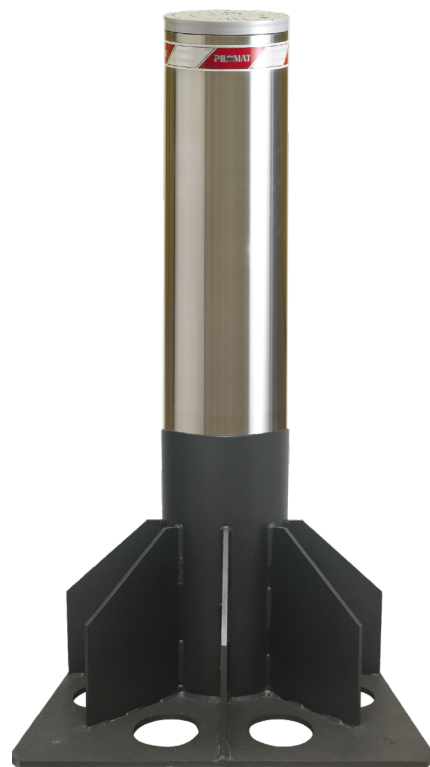
Current models are the result of our 40 years' experience in the security field and in excess of 20 years in the specific design and manufacture of bollards.

GENERAL FEATURES

The fixed antiterrorism bollards are used to separate and prevent vehicles from breaching the perimeter of the following areas: Research Centres Embassies, Police Headquarters, Military Bases, Ministerial Buildings Sites in Sensitive Areas. These items are designed to ensure antiterrorism defence, and must be cemented into the ground at a depth that meets the standards of breakout resistance.

CERTIFIED

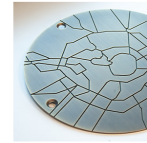
PAS68:2013 V/7500(N3)/80/90:0.0/20.0
IWA 14-1:2013 V/7200(N3C)/80/90:0.3
ASTM F2656/2656M 18a C750 - P1



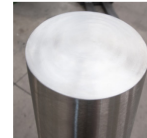
NEW!



Anticorrosion marine treatment



Custom stainless steel cylinder cover



Replaceable stainless steel sleeve painted or brushed

PAG.1/3

PILOMAT
HÖRMANN
100% MADE IN ITALY

PILOMAT s.r.l.
www.pilomat.com / pilomat@pilomat.com
Via Zanica 17/p, 24050, Grassobbio (BG) Italy
Tel. +39.035.29.72.20
Copyright 2022© Pilomat S.r.l. All rights reserved

REVIEW 11/07/2022

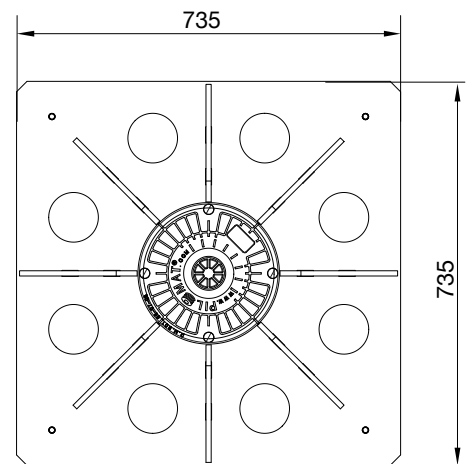
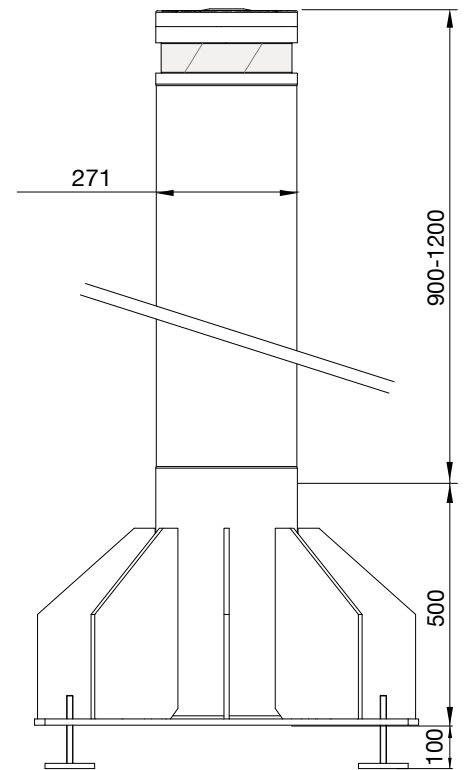
Information in this document is for reference only. In pursuit of its policy of continuous refinement and improvement, Pilomat reserves the right to amend this information at any time and without prior notice.
Picture shown is for illustration purpose only.

275/K12FB 900F-1200F



AVAILABLE ITEMS

- BOLLARD 275/K12FB FEV - NORMAL STEEL PAINTED
- BOLLARD 275/K12FB IXV - STAINLESS STEEL PAINTED
- BOLLARD 275/K12FB IXS - STAINLESS STEEL BRUSHED
- KNURLING ON FIXED CYLINDER
- HEAD WITHOUT LOGO FOR 275/K12FB
- REFLECTING ADHESIVE STRIP - WHITE (NO-LOGO)
- MULTILED LIGHTING STRIP - 25 LED POINTS
- LIGHTING STRIP POWER CIRCUIT FOR FIXED BOLLARDS (MAX. 8 BOLLARDS)
- PAINTING WITH RAL COLOUR ON REQUEST



PAG.2/3

PILOMAT
HÖRMANN
100% MADE IN ITALY

PILOMAT s.r.l.
www.pilomat.com / pilomat@pilomat.com
Via Zanica 17/p, 24050, Grassobbio (BG) Italy
Tel. +39.035.29.72.20
Copyright 2022© Pilomat S.r.l. All rights reserved

REVIEW 11/07/2022

275/K12FB 900F-1200F



	275/K12FB-900F	275/M50FB-1200F
CYLINDER MATERIAL	S355JR NORMAL STEEL - X5CrNi 18-10 (AISI 304) STAINLESS STEEL - X5CrNiMo 17-12-2 (AISI 316) STAINLESS STEEL	
CYLINDER DIAMETER	271mm	
CYLINDER HEIGHT	900mm	1200mm
CYLINDER THICKNESS	23mm	
CYLINDER NORMAL STEEL FINISH	ANTI-CORROSION TREATMENT - GREY ANTHRACITE STANDARD PAINTING	
CYLINDER STAINLESS STEEL FINISH	GREY ANTHRACITE STANDARD PAINTING OR BRUSHED	
OTHER CYLINDER FINISH	KNURLING ON CYLINDER'S SURFACE	
REFLECTING ADHESIVE STRIP	STANDARD - HEIGHT 55mm	
CONNECTION LINE FOR LIGHTING STRIP (OPTIONAL)	STANDARD 10m (MAX. LENGTH 80m)	
PROTECTION CLASS	IP67	
IMPACT RESISTANCE (WITHOUT DEFORMATION)	700.000 J	
BREAKOUT RESISTANCE	2.000.000 J	
ANTI-CORROSION TREATMENT "M"	OPTIONAL ORDER IN CASE OF INSTALLATION AT LESS THAN 2KM FROM THE SEA ORDER IN CASE OF INSTALLATION WHERE SALT IS USED ON THE ROAD TO AVOID ICE FOR A PERIOD UP TO 3 MONTHS	

