

275/K12EMB 900A-1200A



AUTOMATIC BOLLARDS

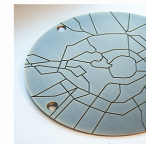
The 275/K12EMB 900A and 275/M50EMB 1200A automatic bollards have been designed to ensure the anti-terrorist defence. Current models are the result of our 40 years' experience in the security field and in excess of 20 years in the specific design and manufacture of automatic bollards.

The 275/EMB bollard is recommended for use in any security sensitive site like company driveways, industrial driveways, research centres, embassies, police facilities, military bases, etc..

The 275/EMB is available with a large number of optional accessories that allow you to customize your system according to your security needs.



Anticorrosion marine treatment



Custom stainless steel cylinder cover

PAG.1/3

PILOMAT
HÖRMANN
100% MADE IN ITALY

PILOMAT s.r.l.
www.pilomat.com / pilomat@pilomat.com
Via Zanica 17/p, 24050, Grassobbio (BG) Italy
Tel. +39.035.29.72.20
Copyright 2022© Pilomat S.r.l. All rights reserved

REVIEW 08/07/2022

*Information in this document is for reference only. In pursuit of its policy of continuous refinement and improvement, Pilomat reserves the right to amend this information at any time and without prior notice.
Picture shown is for illustration purpose only.*

275/K12EMB 900A-1200A



AVAILABLE ITEMS

BOLLARD 275/EMB FEV – NORMAL STEEL PAINTED

BOLLARD 275/EMB IXS – STAINLESS STEEL BRUSHED (AISI 304)

BOLLARD 275/EMB IXS - STAINLESS STEEL PAINTED

HEAD WITH MULTILED LIGHTING STRIP 25 LED POINTS

ACOUSTIC WARNING ALARM

ATTENTION: AVAILABLE ONLY FOR HEAD WITH MULTILED LIGHTING STRIP

ADHESIVE REFLECTING STRIP - WHITE (NO LOGO)

FOUNDATION BOX WITH COUNTERFRAME AND REBARS

REMOTE RADIO RECEIVER

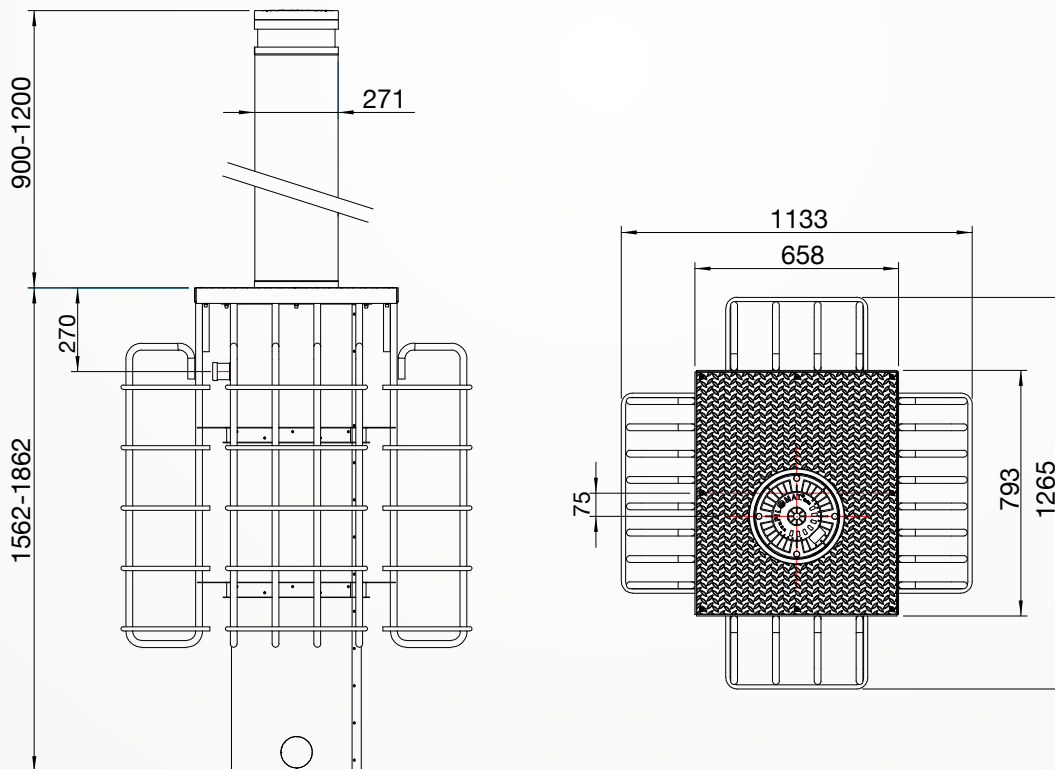
RADIO TRANSMITTER

TRAFFIC LIGHT WITH TWO LIGHTS (RED - GREEN)

INDUCTIVE DETECTOR FOR TWO INDUCTIVE LOOPS

INDUCTIVE LOOPS

HEATING RESISTANCE - TRANSFORMER - THERMOSTAT



PAG.2/3

PILOMAT
HÖRMANN
100% MADE IN ITALY

PILOMAT s.r.l.
www.pilomat.com / pilomat@pilomat.com
Via Zanica 17/p, 24050, Grassobbio (BG) Italy
Tel. +39.035.29.72.20
Copyright 2022© Pilomat S.r.l. All rights reserved

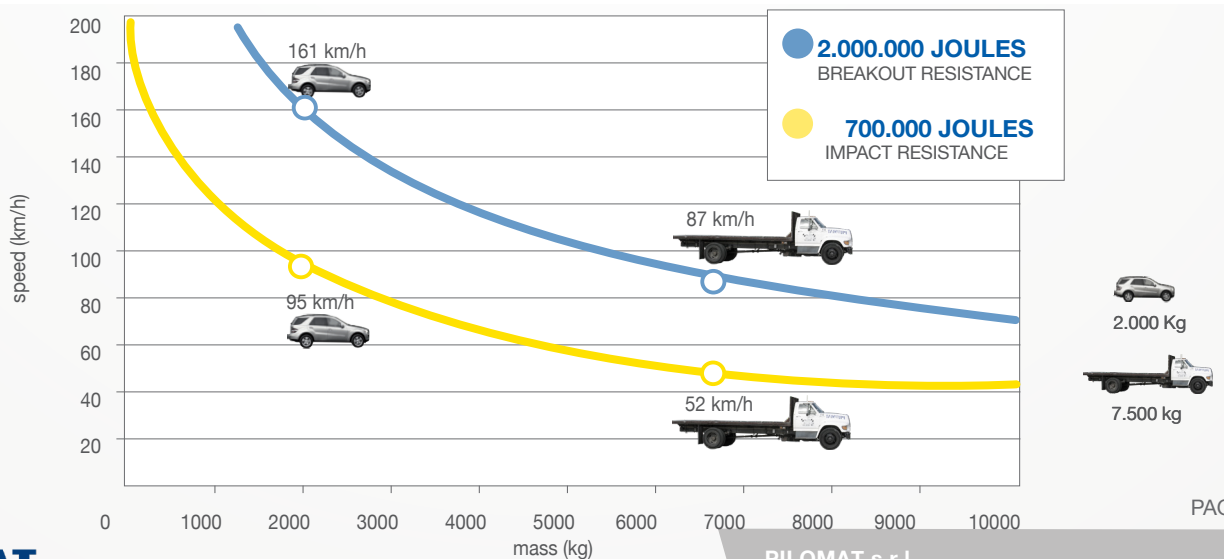
REVIEW 08/07/2022

Information in this document is for reference only. In pursuit of its policy of continuous refinement and improvement, Pilomat reserves the right to amend this information at any time and without prior notice.
Picture shown is for illustration purpose only.

275/K12EMB 900A-1200A



	275/K12EMB-900A	275/M50EMB-1200A
CYLINDER MATERIAL	S355JR NORMAL STEEL - X5CrNi 18-10 (AISI 304) STAINLESS STEEL - X5CrNiMo 17-12-2 (AISI 316) STAINLESS STEEL	
CYLINDER DIAMETER	271mm	
CYLINDER HEIGHT	900mm	1200mm
CYLINDER THICKNESS	23mm	
MOVEMENT PRINCIPLE	ELECTROMECHANICAL WITH BUILT-IN BRUSHLESS MOTOR	
CYLINDER NORMAL STEEL FINISH	ANTI-CORROSION TREATMENT - GREY ANTHRACITE STANDARD PAINTING	
CYLINDER STAINLESS STEEL FINISH	GREY ANTHRACITE STANDARD PAINTING OR BRUSHING	
OTHER CYLINDER FINISH	KNURLING	
REFLECTING ADHESIVE STRIP	STANDARD - HEIGHT 55mm	
RISING SPEED	22cm/s	
	OPTIONAL: E.FO RISING TIME 2"	OPTIONAL: E.FO RISING TIME 2,6"
LOWERING SPEED	22cm/s	
MANUAL EMERGENCY LOWERING	STANDARD	
CONNECTION LINE TO CONTROL UNIT	STANDARD 10m (MAX LENGHT 50m)	
VOLTAGE FOR CONTROL UNIT	230/400VAC (+/- 10%) 50/60HZ	
PROTECTION CLASS	IP 67	
TYPE OF USE	INTENSIVE - 2.000 CYCLES/DAY	
LIFE UNITS	3.000.000 CYCLES	
IMPACT RESISTANCE (WITHOUT DEFORMATION)	700.000 J	
BREAKOUT RESISTANCE	2.000.000 J	
NOMINAL OPERATING TEMPERATURE	-40°C +70°C (FOR LOW TEMPERATURES SEE HEATING RESISTANCE)	
LOAD CLASS (EN124)	D400	
CERTIFIED	PAS68:2013V/7500(N3)/80/90:9.3/29.1 IWA14-1:2013V/7200(N3C)/80/90:9.6 ASTM F2656/F2656M-20 C750/7200 P3	PAS68:2013 V/7500(N3)/80/90:1.4/8.0 ASTM F2656-07 M50 (K12)



PAG.3/3

PILOMAT
HÖRMANN
100% MADE IN ITALY

PILOMAT s.r.l.
www.pilomat.com / pilomat@pilomat.com
Via Zanica 17/p, 24050, Grassobbio (BG) Italy
Tel. +39.035.29.72.20
Copyright 2022© Pilomat S.r.l. All rights reserved

REVIEW 08/07/2022

Information in this document is for reference only. In pursuit of its policy of continuous refinement and improvement, Pilomat reserves the right to amend this information at any time and without prior notice.
Picture shown is for illustration purpose only.