

275/K12 900A-1200A



AUTOMATIC HYDRAULIC ANTI-TERRORISM BOLLARD WITH BUILT-IN UNIT

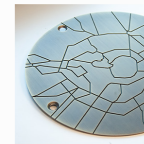
The 275/K12 900A and 275/M50 1200A automatic bollards have been designed to ensure the anti-terrorist defence. Current models are the result of our 40 years' experience in the security field and in excess of 20 years in the specific design and manufacture of automatic bollards.

The 275/K12 bollard is recommended for use in any security sensitive site like company driveways, industrial driveways, research centres, embassies, police facilities, military bases, etc..

The 275/K12 is available with a large number of optional accessories that allow you to customize your system according to your security needs.



Anticorrosion marine treatment



Custom stainless steel cylinder cover

AVAILABLE ITEMS

BOLLARD 275/K12 FEV - NORMAL STEEL PAINTED

BOLLARD 275/K12 IXV - STAINLESS STEEL PAINTED

BOLLARD 275/K12 IXS - STAINLESS STEEL BRUSHED

FOUNDATION BOX IN ALUZING FOR PILOMAT 275/K12 900A - COUNTERFRAME
ONE FOUNDATION BOX FOR EACH BOLLARD

REBARS FOR FOUNDATION BOX 275/K12 900

CONTROL UNIT FOR 275/K12

MULTILED LIGHTING STRIP 25 LED POINTS

E.F.O. CIRCUIT FOR EMERGENCY RISING (ABOUT 1,5")

ACOUSTIC WARNING SIGNAL FOR AUTOMATIC BOLLARD

REFLECTING ADHESIVE STRIP - WHITE (NO-LOGO)

HEAD WITHOUT LOGO FOR 275/K12

PAINTING WITH RAL COLOUR ON REQUEST

COVERING IN AISI 316 STAINLESS STEEL FOR MOVING CYLINDER

BIODEGRADABLE OIL FOR HYDRAULIC UNIT

HEATING RESISTANCE FOR PILOMAT BOLLARDS - TRANSFORMER AND
THERMOSTAT
ONE RESISTANCE FOR EACH BOLLARD

RADIO RECEIVER

RADIO TRANSMITTER TWO-CHANNEL

TRAFFIC LIGHT WITH TWO LIGHTS (GREEN-RED)

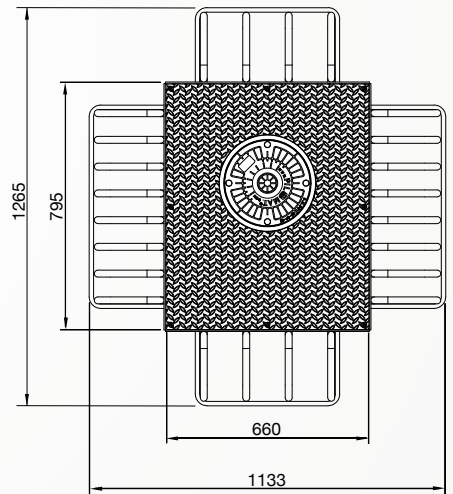
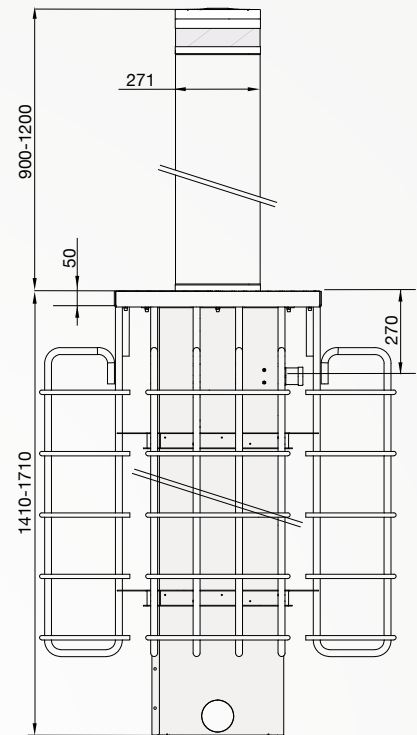
INDUCTIVE DETECTOR FOR LOOPS

INDUCTIVE LOOPS

TIMER PROGRAMMER

INDUCTIVE CARD READER

LOCK SELECTOR



275/K12 900A-1200A



	275/K12-900A	275/M50-1200A
CYLINDER MATERIAL	S355JR NORMAL STEEL X5CrNi 18-10 (AISI 304) STAINLESS STEEL - X5CrNiMo 17-12-12 (AISI 316) STAINLESS STEEL	
CYLINDER DIAMETER	271mm	
CYLINDER HEIGHT	900mm	1200mm
CYLINDER THICKNESS	23mm	
MOVEMENT PRINCIPLE	HYDRAULIC	
CYLINDER NORMAL STEEL FINISH	ANTI-CORROSION TREATMENT - GREY ANTHRACITE STANDARD PAINTING	
CYLINDER STAINLESS STEEL FINISH	GREY ANTHRACITE STANDARD PAINTING OR BRUSHING	
OTHER CYLINDER FINISH	KNURLING	
REFLECTING ADHESIVE STRIP	STANDARD - HEIGHT 55mm	
RISING SPEED	22cm/s (OPTIONAL: E.F.O. RISING TIME 1,5")	22cm/s (OPTIONAL: E.F.O. RISING TIME 1,5")
LOWERING SPEED	22,5cm/s	30cm/s
MANUAL EMERGENCY LOWERING	STANDARD	
CONNECTION LINE TO CONTROL UNIT	STANDARD 10m (MAX. LENGTH 80m - WITH HEATING RESISTANCE MAX. 50m)	
VOLTAGE FOR CONTROL UNIT	230/400VAC (+/- 10%) 50/60HZ	
HYDRAULIC UNIT	BUILT-IN INTO THE BOLLARD	
PROTECTION CLASS	IP67	
TYPE OF USE	INTENSIVE - 2.000 CYCLES/DAY	
LIFE UNITS	3.000.000 CYCLES	
IMPACT RESISTANCE (WITHOUT DEFORMATION)	700.000 J	
BREAKOUT RESISTANCE	2.000.000 J	
NOMINAL OPERATING TEMPERATURE	-40 °C +70 °C (FOR LOW TEMPERATURES SEE THE HEATING RESISTANCE)	
ANTI-CORROSION TREATMENT "M"	OPTIONAL - RECOMMENDED FOR INSTALLATIONS AT LESS THAN 2KM FROM THE SEA OR WHERE SALT IS USED TO PREVENT THE FORMATION OF ICE ON ROADS DURING WINTER	
LOAD CLASS (EN124)	D400	
CERTIFIED	PAS68:2013V/7500(N3)/80/90:9.3/29.1 IWA14-1:2013V/7200(N3C)/80/90:9.6 ASTM F2656/F2656M-20 C750/7200 P3	PAS68:2013 V/7500(N3)/80/90:1.4/8.0 ASTM F2656-07 M50 (K12)

