

127/P 600A-800A



HYDRAULIC BOLLARD WITH BUILT-IN UNIT

The 127/P 600A and 127/P 800A automatic bollards are the top line products of the PILOMAT range. Current models are the result of our 40 years' experience in the security field and in excess of 20 years in the specific design and manufacture of bollards.

The 127/P bollard is recommended for use in any pedestrian areas, private parkings, business parkings, private driveways, business driveways, commercial driveways.

The 127/P bollard is available with a large number of optional accessories that allow you to customize your system according to your security needs.



Anticorrosion marine treatment

AVAILABLE ITEMS

BOLLARD 127/P FEV - NORMAL STEEL PAINTED

BOLLARD 127/P IXV - STAINLESS STEEL PAINTED

BOLLARD 127/P IXS - STAINLESS STEEL BRUSHED

FOUNDATION BOX IN ALUZINC FOR 127/P - COUNTERFRAME AND BRACKETS
ONE FOUNDATION BOX FOR EACH BOLLARD

CONTROL UNIT FOR 127/P

LIGHTING STRIP - 1 LED POINT

ACOUSTIC WARNING SIGNAL FOR AUTOMATIC BOLLARD

REFLECTING ADHESIVE STRIP - WHITE (NO-LOGO)

HEAD WITHOUT LOGO FOR PILOMAT 127/P

PAINTING WITH RAL COLOUR ON REQUEST

BIODEGRADABLE OIL FOR HYDRAULIC UNIT

HEATING RESISTANCE FOR BOLLARDS - TRANSFORMER AND THERMOSTAT
ONE RESISTANCE FOR EACH BOLLARD

RADIO RECEIVER

RADIO TRANSMITTER TWO-CHANNEL

TRAFFIC LIGHT WITH TWO LIGHTS (GREEN-RED)

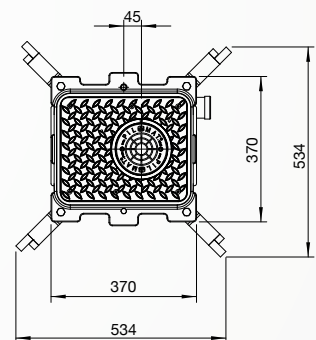
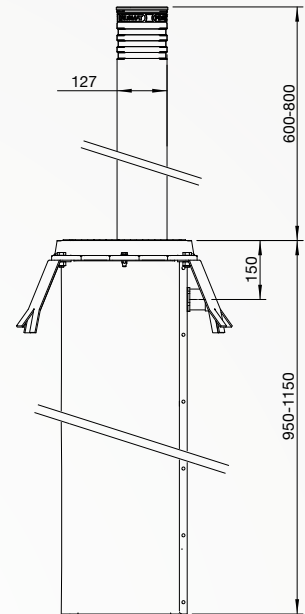
INDUCTIVE DETECTOR FOR LOOPS

INDUCTIVE LOOPS

TIMER PROGRAMMER

INDUCTIVE CARD READER

LOCK SELECTOR



127/P 600A-800A



	127/P-600A	127/P-800A
CYLINDER MATERIAL	S235JR NORMAL STEEL - X5CrNi 18-10 (AISI 304) STAINLESS STEEL	
CYLINDER DIAMETER	127mm	
CYLINDER HEIGHT	600mm	800mm
CYLINDER STEEL THICKNESS (STEEL)	6mm	
CYLINDER STEEL THICKNESS (STAINLESS STEEL)	4mm	
CYLINDER NORMAL STEEL FINISH	ANTI-CORROSION TREATMENT - GREY ANTHRACITE STANDARD PAINTING	
CYLINDER STAINLESS STEEL FINISH	GREY ANTHRACITE STANDARD PAINTING OR BRUSHING	
REFLECTING ADHESIVE STRIP	STANDARD - HEIGHT 23mm	
RISING SPEED	15cm/s	
LOWERING SPEED	25cm/s	
MANUAL EMERGENCY LOWERING	STANDARD	
SAFETY REVERSAL	STANDARD	
CONNECTION LINE TO CONTROL UNIT	STANDARD 10m (MAX. LENGTH 80m - WITH HEATING RESISTANCE MAX. 50m)	
VOLTAGE FOR CONTROL UNIT	230Vac (+/- 10%) 50/60Hz	
HYDRAULIC UNIT	BUILT-IN INTO THE BOLLARD	
PROTECTION CLASS	IP67	
TYPE OF USE	INTENSIVE - - 2000 CYCLES/DAY	
LIFE UNITS	3.000.000 CYCLES	
IMPACT RESISTANCE (WITHOUT DEFORMATION)	30.000 J	
BREAKOUT RESISTANCE	150.000 J	
OPERATING TEMPERATURE	-40 °C +70 °C (FOR TEMPERATURES LOWER THAN -10 °C USE THE HEATING RESISTANCE)	
LOAD CLASS (EN124)	D400	

