

127/P 500SA-600SA



SEMI-AUTOMATIC BOLLARDS WITH GAS ACTUATOR

The semiautomatic bollards 127/P 500SA and 127/P 600SA with single gas actuator is designed and built with architectural appearance similar to that of the automatic bollards and therefore also allows the combined use of both versions. Current models are the result of our 40 years' experience in the security field and in excess of 20 years in the specific design and manufacture of bollards.

GENERAL FEATURES

The Semiautomatic bollards are used to define or prevent the stationing or transit of vehicles in pedestrian or private areas. Because of the procedure of parking, it is advised that the semi-automatic bollards be used only if the amount of daily movements is limited.



Anticorrosion marine treatment

PAG.1/3

PILOMAT
HÖRMANN
100% MADE IN ITALY

PILOMAT s.r.l.
www.pilomat.com / pilomat@pilomat.com
Via Zanica 17/p, 24050, Grassobbio (BG) Italy
Tel. +39.035.29.72.20
Copyright 2022© Pilomat S.r.l. All rights reserved

REVIEW 12/07/2022

Information in this document is for reference only. In pursuit of its policy of continuous refinement and improvement, Pilomat reserves the right to amend this information at any time and without prior notice.
Picture shown is for illustration purpose only.

127/P 500SA-600SA



AVAILABLE ITEMS

BOLLARD 127/P FEV - NORMAL STEEL PAINTED

BOLLARD 127/P IXV - STAINLESS STEEL PAINTED

BOLLARD 127/P IXS - STAINLESS STEEL BRUSHED

FOUNDATION BOX IN ALUZINC FOR 127/P - COUNTERFRAME AND BRACKETS
ONE FOUNDATION BOX FOR EACH BOLLARD

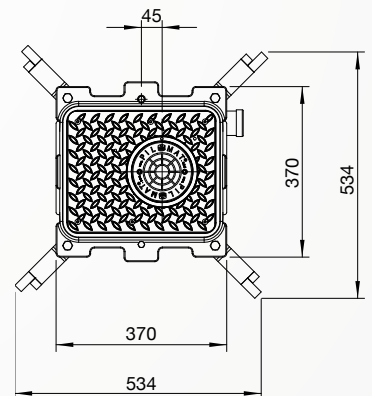
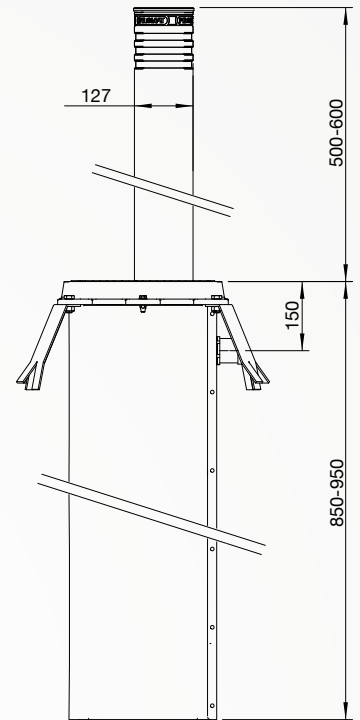
HEAD WITHOUT LOGO FOR 127/P

PAINTING WITH RAL COLOUR ON REQUEST

LOCK FOR TRIANGULAR KEY 11mm - 2 KEYS

LOCK FOR TRIANGULAR KEY 9mm - WITHOUT KEYS

KIT 5 TRIANGULAR KEYS 11mm FOR SEMIAUTOMATIC BOLLARDS



PAG.2/3

PILOMAT
HÖRMANN
100% MADE IN ITALY

PILOMAT s.r.l.
www.pilomat.com / pilomat@pilomat.com
Via Zanica 17/p, 24050, Grassobbio (BG) Italy
Tel. +39.035.29.72.20
Copyright 2022© Pilomat S.r.l. All rights reserved

REVIEW 12/07/2022

Information in this document is for reference only. In pursuit of its policy of continuous refinement and improvement, Pilomat reserves the right to amend this information at any time and without prior notice.
Picture shown is for illustration purpose only.

127/P 500SA-600SA



	127/P-500SA	127/P-600SA
CYLINDER MATERIAL	S235JR NORMAL STEEL - X5CrNi 18-10 (AISI 304) STAINLESS STEEL	
CYLINDER DIAMETER	127mm	
CYLINDER HEIGHT	500mm	600mm
CYLINDER THICKNESS	6mm	
MOVEMENT PRINCIPLE	SEMIAUTOMATIC WITH GAS ACTUATOR	
CYLINDER NORMAL STEEL FINISH	ANTI-CORROSION TREATMENT - STANDARD PAINTING GREY ANTHRACITE	
CYLINDER STAINLESS STEEL FINISH	STANDARD PAINTING GREY ANTHRACITE OR BRUSHED	
REFLECTING ADHESIVE STRIP	STANDARD - HEIGHT 23mm	
RISING SPEED	20cm/s	
LOWERING SPEED	MANUAL (PRESSURE WITH THE FOOT ON THE HEAD OF THE BOLLARD)	
PROTECTION CLASS	IP67	
IMPACT RESISTANCE (WITHOUT DEFORMATION)	30.000 J	
BREAKOUT RESISTANCE	150.000 J	
OPERATING TEMPERATURE	-40 °C +70 °C	
LOCK	STANDARD: TRIANGULAR LOCK 11mm	
LOAD CLASS (EN124)	D400	

