

120/RM 800



REMOVABLE BOLLARDS

The removable bollards 120/RM 800 are typically used to prevent the parking of unauthorised vehicles, transit and access by unauthorised vehicles in driveways, and protection of shatter-proof windows. Because of the procedure of parking, it is advised that the removable bollard be used only if the amount of daily movements is limited (if not, the automatic bollard should be used) or when the depth of installation does not allow for the installation of the automatic bollards.

GENERAL FEATURES

The 120/RM 800 removable bollard have a square base, in the interior there is reinforced steel meant to ensure high resistance to breakage. The 120/RM 800 removable bollard are complete with safety lock, round handle and the roller is placed at the base for easy relocation. The removal of the bollard is carried out using a mechanical key that unlocks the restraint system, allowing for the lifting and removal from the base of the bollard previously cemented into the ground (in addition a plate enclosure base is provided). Once removed, the bollard can be moved and placed on its pedestal at the side of the point protected.



PAG.1/2

PILOMAT
HÖRMANN
100% MADE IN ITALY

PILOMAT s.r.l.
www.pilomat.com / pilomat@pilomat.com
Via Zanica 17/p, 24050, Grassobbio (BG) Italy
Tel. +39.035.29.72.20
Copyright 2021© Pilomat S.r.l. All rights reserved

REVIEW 15/07/2021

*Information in this document is for reference only. In pursuit of its policy of continuous refinement and improvement, Pilomat reserves the right to amend this information at any time and without prior notice.
Picture shown is for illustration purpose only.*

120/RM 800



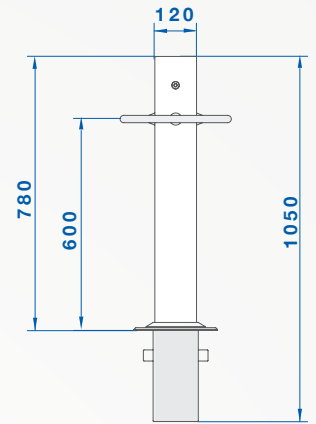
AVAILABLE ITEMS

REMOVABLE BOLLARD 120/RM 800IXS – STAINLESS STEEL BRUSHED

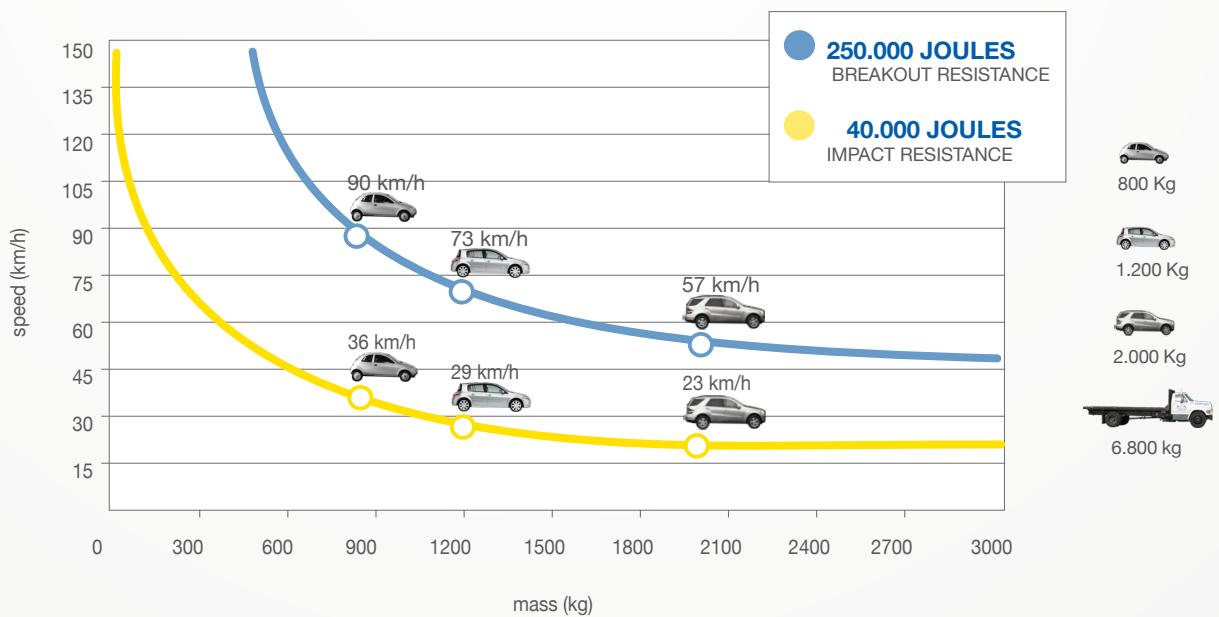
SECURITY LOCK

BASEMENT TO BE FIXED INTO THE GROUND

FIXED BOLLARD 120/PF 800IXS - STAINLESS STEEL BRUSHED



REMOVABLE BOLLARD MATERIAL	X5CrNi 18-10 (AISI 304) STAINLESS STEEL
REMOVABLE BOLLARD DIMENSION	120x120mm
REMOVABLE BOLLARD HEIGHT	780mm
REMOVABLE BOLLARD THICKNESS	10mm
REMOVABLE BOLLARD FINISH	BRUSHED
REFLECTING ADHESIVE STRIP	NO
IMPACT RESISTANCE (WITHOUT DEFORMATION)	40.000 J
BREAKOUT RESISTANCE	250.000 J
OPERATING TEMPERATURE	-40 °C +70°C



PAG.2/2

PILOMAT
HÖRMANN
100% MADE IN ITALY

PILOMAT s.r.l.
www.pilomat.com / pilomat@pilomat.com
Via Zanica 17/p, 24050, Grassobbio (BG) Italy
Tel. +39.035.29.72.20
Copyright 2021© Pilomat S.r.l. All rights reserved

REVIEW 15/07/2021